

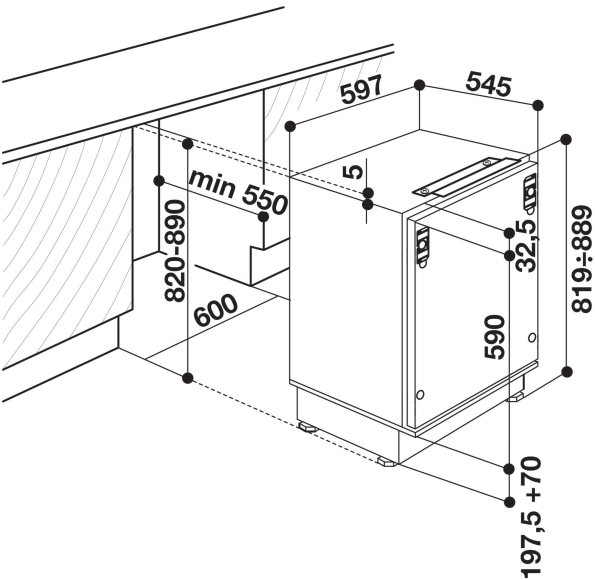
# AFB 828/A+

12NC: 850482896000

EAN code: 8003437132070

**Whirlpool**

SENSING THE DIFFERENCE



## MAIN FEATURES

Product group	Freezer
Commercial code	AFB 828/A+
EAN code	8003437132070
Construction type	Built-in
Installation type	Built-under
Type of control	Mechanical
Main colour of product	White
Connection rating (W)	110
Current (A)	13
Voltage (V)	220-240
Frequency (Hz)	50
Length of Electrical Supply Cord (cm)	245
Plug type	Schuko
Total unit net capacity (l)	94
Height of the product	817
Width of the product	596
Depth of the product	544
Maximum adjustability feet	0
Net weight (kg)	35
Gross weight (kg)	37
Door hinge	-

## TECHNICAL FEATURES

Defrost process	Manual
Fast freezing function	Yes
Temperature adjustable freezer	-
Freezer section with thaw water drainage system	No
Number of drawers/baskets	2
Lockable door	-
Thermometer freezer section	None
Light	-

## PERFORMANCES

Energy efficiency class - NEW (2010/30/EC)	A+
Freezing capacity (kg/24h) - NEW (2010/30/EC)	12
Temperature rise time (h)	28
Climate class	SN-T
Frost free system	No
Freezer Net capacity (l) - NEW (2010/30/EC)	94